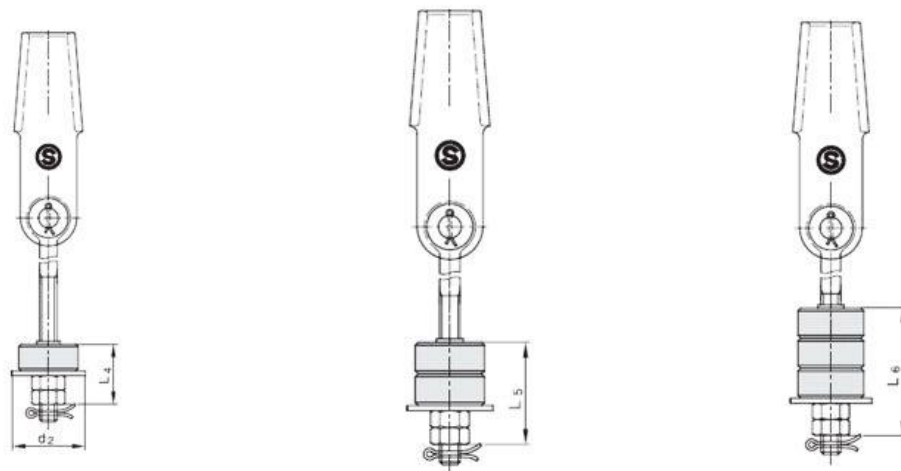


Rope suspensions with rope sockets acc. to DIN EN 13411-7

ATTENTION: The strength of the eye bolt must be in accordance to the strength of the wire rope.



Rope - ø	Main type A	d	L1	L2	Type FP	d2	L4	Type FP 2	L5	Type FP 3	L6
	Item- no.				Item- no.			Item- no.		Item- no.	
4 - 5*	SS1 0405 A0 180 315	M10	276	180	SS1 0405 F1 180 315	35	51	SS1 0405 F2 180 315	79	SS1 0405 F3 180 315	107
5 - 6.5*	SS1 0506 A0 180 315	M10	265	180	SS1 0506 F1 180 315	35	51	SS1 0506 F2 180 315	79	SS1 0506 F3 180 315	107
6 - 8	SS1 0608 A0 320 315	M12	450	320	SS1 0608 F1 320 315	50	51	SS1 0608 F2 320 315	79	SS1 0608 F3 320 315	107
9- 11	SS1 0911 A0 320 315	M16	484	320	SS1 0911 F1 320 315	58	59	SS1 0911 F2 320 315	87	SS1 0911 F3 320 315	115
12-14	SS1 1214 A0 400 315	M20	598	400	SS1 1214 F1 400 315	68	65	SS1 1214 F2 400 315	93	SS1 1214 F3 400 315	121
15-17	SS1 1517 A0 450 315	M24	674	450	SS1 1517 F1 450 315	80	74	SS1 1517 F2 450 315	102	SS1 1517 F3 450 315	130

* Spring buffers only without collar, similar to picture

L2 = Standard lengths of eye bolts are in mm, further lengths possible

When ordering, the required length of the eye bolts is to be incorporated into the item- no as per following example:
 rope suspension type A for 8 mm rope diameter and an eye bolts length of 450 mm: SS1 0608 A0 450 315

Subject to technical alternations