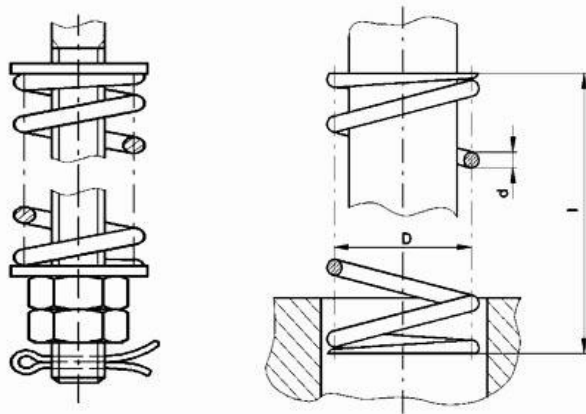


## Pressure Springs (special designs)



Item-no.	d	D	l	F	s	c
DF6 0075 00 034 175	7.5	34	175	4570	66	69
DF6 0090 00 035 175	9	35	175	7348	53	137
DF6 0105 00 365 175	10.5	36.5	175	9000	37	241
DF6 0110 00 365 175	11	36.5	175	11130	33	297
DF6 0150 00 052 150	15	52	150	16310	22	725
DF6 0160 00 048 150	16	48	150	28050	28	1000

D = average coil diameter (mm)

l = unstressed length (mm)

F = spring force (N)

s = range of spring (mm)

c = spring rate (N/ mm)

d = diameter of wire (mm)

*Subject to technical alternations*